

Bio-Logic®

GERMICIDAL ULTRAVIOLET WATER
PURIFIER & **PURE WATER PACK™**

Models	Ballast 120v 50/60 Hz	Ballast 230v 50/60Hz
BIO-1.5 PWP	10-0518A	10-0514A



**ATLANTIC ULTRAVIOLET
CORPORATION®** SINCE 1963

Manufacturers / Engineers / Sales / Service
Germicidal Ultraviolet – Equipment & Lamps

375 Marcus Boulevard, Hauppauge, NY 11788
(631) 273-0500 • Fax: (631) 273-0771
Email: Sales@AtlanticUV.com

Shop Products at
AtlanticUltraviolet.com

Learn More at **Ultraviolet.com**



Installation, Operation & Maintenance

**Read and Follow All
Safety Instructions.
Save These Instructions.**

Owner's Manual

TABLE OF CONTENTS

SAFETY WARNINGS	3
SAFETY INSTRUCTIONS	3
SAFETY LABELING	3
CAUTION	3
PRODUCT APPLICATION	4
CONSTRUCTION	4
PRINCIPLE OF OPERATION	4
LIMITATION OF USE	4
WATER QUALITY	4
PACKAGE CONTENTS	4
INSTALLATION	5
LOCATION	5
SADDLE VALVE INSTALLATION	6
FAUCET INSTALLATION	6-7
SYSTEM INSTALLATION	7-8
TUBING INSTALLATION	9
TUBING REMOVAL	9
TECHNICAL ASSISTANCE	9
RECOMMENDED OPTIONS	9
MAINTENANCE	10
INSPECTION	10
FILTER CARTRIDGE REPLACEMENT	10
LAMP INSTALLATION OR REPLACEMENT	11
QUARTZ SLEEVE INSTALLATION, CLEANING, OR REPLACEMENT	12
REPLACEMENT OF BROKEN QUARTZ SLEEVE	13-14
DISPOSAL OF MERCURY ADDED LAMP	14
TROUBLESHOOTING	14
TECHNICAL SPECIFICATIONS	15
DIMENSIONAL DATA	16
REPLACEMENT PARTS	17
Bio-Logic® BIO-1.5 Ultraviolet Water Purifier	17
Pure Water Pack™	18
MAINTENANCE NOTES	19
USER ASSISTANCE	20
PATENT NOTICE	20
WARRANTY & PRODUCT REGISTRATION	20


These instructions generally describe the installation, operation and maintenance of the **Bio-Logic® Pure Water Pack™**. Questions that are not specifically answered by these instructions should be directed to the Factory. Atlantic Ultraviolet Corporation® takes all possible precautions when packaging equipment to prevent damage. Carefully inspect and report all damage upon receipt of product. Do not install damaged equipment. Follow all instructions on all labels and tags. Carefully inspect all packing materials before discarding to prevent the loss of accessories, mounting hardware, spare parts or instructions.


The information and recommendations contained in this publication are based upon data collected by the Atlantic Ultraviolet Corporation® and are believed to be correct. However, no guarantee or warranty of any kind, expressed or implied, is made with respect to the information contained herein. Specifications and information are subject to change without notice.





SAFETY WARNINGS


- All personnel should be alerted to the potential hazards indicated by the product safety labeling on this unit.
- The following conventions are used to indicate and classify precautions in this manual and on product safety labeling. Failure to observe precautions could result in injury to people or damage to property.

 This is the safety alert symbol. It is used to alert you to potential personal injury hazards. Obey all safety messages that follow this symbol to avoid possible injury or death.

 **DANGER** Danger indicates an **IMMINENTLY** hazardous situation, which, if not avoided, **WILL** result in death or serious injury.


 **WARNING** Warning indicates a **POTENTIALLY** hazardous situation, which, if not avoided, **COULD** result in death or serious injury.


 **CAUTION** Caution indicates a **POTENTIALLY** hazardous situation, which, if not avoided, **MAY** result in minor or moderate injury.


 **CAUTION** Caution used without the safety alert symbol indicates a potentially hazardous situation, which, if not avoided, may result in property damage.


 This symbol is used to identify an **ELECTRICAL SHOCK** or **ELECTROCUTION** hazard.

 This symbol is used to identify an **ULTRAVIOLET LIGHT** hazard.

 This symbol is used to identify the need to wear approved ultraviolet blocking eyewear.





 This symbol is used to identify the need to wear approved ultraviolet blocking face shield.

 This symbol is used to identify the need to wear protective gloves.

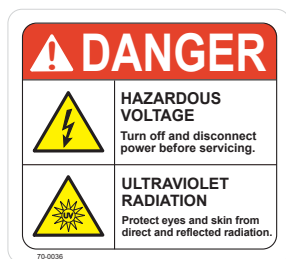
 This symbol is used to identify components which must not be disposed of in trash

SAFETY INSTRUCTIONS

 **WARNING** To guard against injury, basic safety precautions should be observed, including the following:

1. Read and follow **ALL** safety instructions.
2. Do not use this water purifier for other than its intended purpose as described in this manual.
3. Do not alter design or construction.
4. Do not remove any labels or devices.
5.  **DANGER** To prevent the risk of severe or fatal electrical shock, special precautions must be taken since water is present near electrical equipment. **Always disconnect power before performing any service or maintenance.**
6.  **WARNING** Avoid exposure to direct or reflected germicidal ultraviolet rays. Germicidal ultraviolet rays are harmful to the eyes and skin.
7. Intended for indoor use only. The water purifier should be protected from the elements and from temperatures below freezing.
8. Do not operate water purifier if lamp cable, lamp connection, power cord and/or plug are damaged, or if any other damage to the water purifier is visible or suspected
9. Electrical power supplied, to the water purifier, **MUST** match power requirements listed on the water purifier.
10.  **WARNING** Plug the water purifier only into an approved ground fault circuit interrupt (GFCI) receptacle.
11.  **WARNING** Do not operate without proper electrical ground.
12. Do not exceed water purifier's maximum rated flow capacity.
13. Do not exceed maximum operating pressure of 100 PSI.
14. Read and follow all notices and warnings on the water purifier.
15. **SAVE THESE INSTRUCTIONS.**

SAFETY LABELS



Danger Label: Hazardous Voltage and Ultraviolet Radiation (70-0036)



Location of Danger Label (70-0036)

CAUTION

It is the user's responsibility to determine and validate the suitability of this equipment for use in the user's system or process.

No warranty or representation is made by the manufacturer with respect to suitability or performance of this equipment or to the results that may be expected from its use.

The user should periodically inspect, clean as necessary and confirm the presence and good legibility of the product safety labels. Contact the factory for replacement labels in the event that any of the labels are missing or illegible.

PRODUCT APPLICATION

CONSTRUCTION

- All filtration and disinfection components of the **Bio-Logic® Pure Water Pack™** are conveniently mounted on a single, stainless steel, mounting bracket.
- The system is designed to mount on a vertical surface, a secure (stud or concrete) wall or a cabinet wall, by the system-mounting bracket.
- The faucet, supplied with the system, is a low lead, stainless steel faucet, with a hand operated, spring closed lever. The faucet can be locked in the “ON” position by pushing the lever up locking it against the spout.
- The water purifier’s dual chamber heads are removable and may be rotated independently, which aids in the installation, maintenance or the retrofitting of an existing system.
- The water purifier’s chamber, and chamber heads are electropolished and passivated type 316 stainless steel.
- **EASY-OFF™** End Caps enable quick and easy lamp change, without disconnecting the system from the water supply or draining the purifier. No tools are required. **Always disconnect electrical power when changing lamp.**

PRINCIPLE OF OPERATION

The **Bio-Logic® Pure Water Pack™** filter system removes sediment, rust, scale, and particulates, while reducing tastes, odors, organic chemicals and turbidity. The **Bio-Logic®** is the ultraviolet disinfection element of the **Pure Water Pack™**.

The **Bio-Logic®** design has been carefully conceived to provide adequate germicidal dosage throughout the disinfection chamber. The dosage, as it applies to ultraviolet disinfection, is a function of time, and the intensity, of ultraviolet radiation, to which the water is exposed. The exposure time, in seconds, is the total time it takes the water to flow through the disinfection chamber, exposing it to the germicidal lamp. Exposure time is related to the flow rate; the higher the flow rate, the lower the exposure time or the lower the flow rate, the higher the exposure time. The ultraviolet intensity is the amount of energy, per unit time, emitted by the germicidal lamp. The operation of the **Bio-Logic®** is as follows:

- Water enters the purifier and flows into the annular space between the quartz sleeve and the chamber wall.
- Suspended microorganisms are exposed to the ultraviolet rays emitted by the germicidal lamp.
- The LED indicator light, located on the ballast, provides visual indication of germicidal lamp operation.
- Water leaving the purifier is instantly ready for use, no further contact time is required.

LIMITATION OF USE

The water purifier is intended for the use with visually clear water, not colored, cloudy or turbid. See “**Water Quality**” section below. The water purifier is **NOT** intended for the treatment of water that has an obvious contamination or intentional source, such as raw sewage; nor is the unit intended to convert wastewater to microbiologically safe drinking water.

WATER QUALITY

Water quality plays a major role in the transmission of germicidal ultraviolet rays. It is recommended that the water does not exceed the following maximum concentration levels:

Table 1 – Maximum Concentration Levels

Turbidity	< 1 NTU
Manganese	0.05 mg/1
Total Suspended Solids	10 mg /1
pH:	6.5 - 9.5
Color:	None
Hardness	6 GPG or 102.6 PPM
Iron	0.3 mg/1
Tannins:	< 0.1 ppm (0.1 mg/l)
UV Transmission	>85% per cm*

* Contact Factory for recommendations on applications where UV transmission is < 85%

Effectively treating water with higher concentration levels than listed above can be accomplished, but may require added measures to improve water quality to treatable levels. If, for any reason, it is believed the ultraviolet transmission is not satisfactory, contact the factory.

PACKAGE CONTENTS

The **Bio-Logic® Pure Water Pack** Ultraviolet Water Purifier includes:

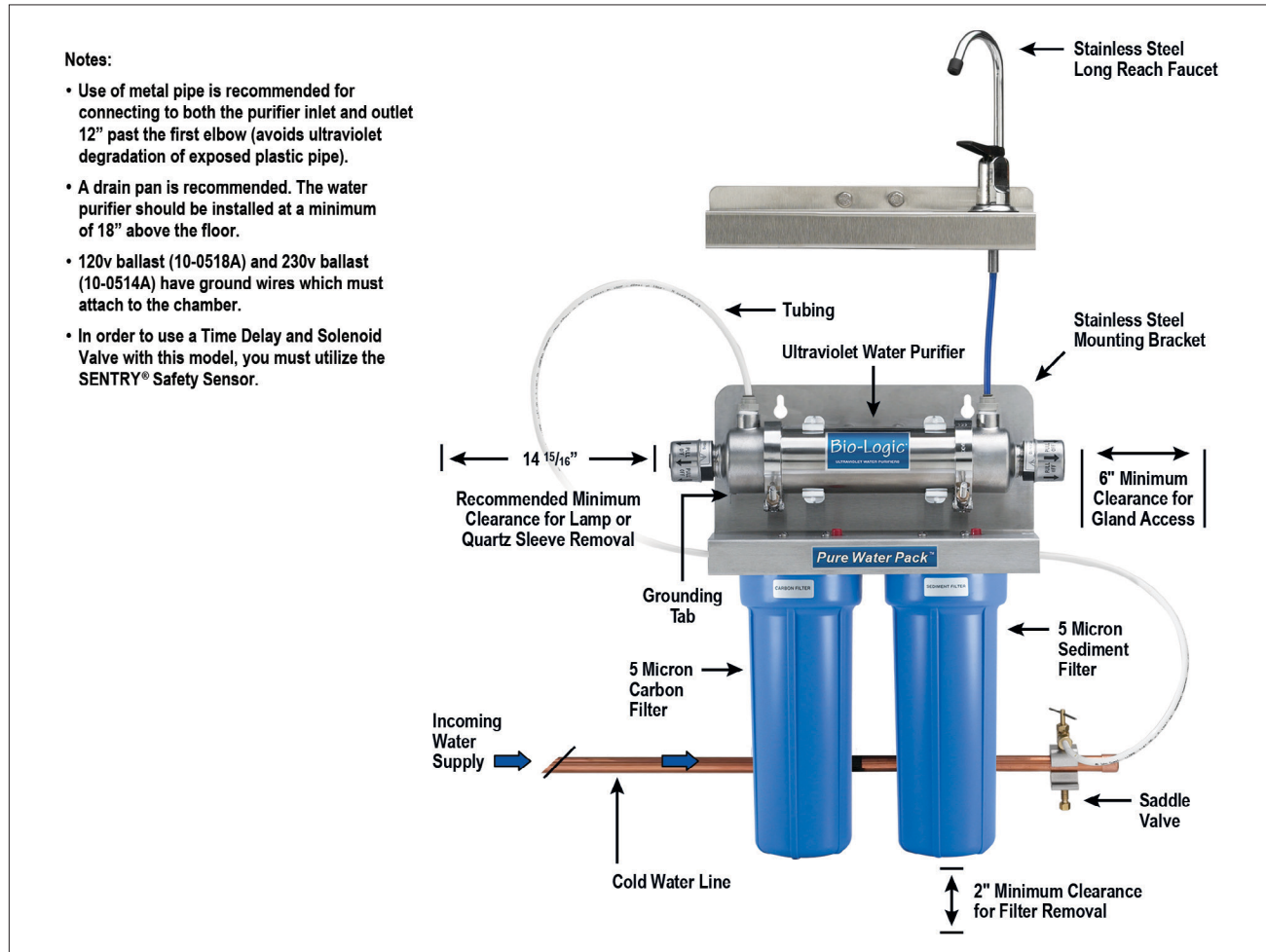
- 1 - **Bio-Logic® BIO 1.5** UV Purifier
- 1 - **STER-L-RAY®** Germicidal UV Lamp
- 1 - **CRYSTAL CLEAR™** Quartz Sleeve (Packed within purifier chamber)
- 1 - Wall Mounting Kit
- 1 - 5-Micron Sediment Filter
- 1 - Carbon Filter
- 1 - Stainless Steel Faucet
- 1 - Saddle Valve
- 1 - Set of Plastic Tubing

Pure Water Pack™ INSTALLATION

LOCATION

1. The **Pure Water Pack™** is designed for “under the sink” installation. The system should be mounted vertically, to a secure wall or cabinet wall, which provides enough room to perform routine maintenance. This includes a minimum of 14-15/16 inches from the chamber end, to allow for removal of the lamp and/or quartz sleeve, a minimum of 6-inches on the backside of the water purifier, and a minimum of 2-inches free space under the filter housings, to allow for housing removal, when changing filter cartridges.

Figure 1 – Bio-Logic® Pure Water Pack™ - Drinking Water System



2. The water purifier is intended for indoor use only. The water purifier should be protected from the elements and from temperatures below freezing. The ambient temperature, in the area surrounding the water purifier, should be between 35°F and 100°F.
3. Electrical power supplied to the water purifier **MUST** match power requirements listed on the water purifier. Use of a voltage surge protector is recommended.
4. The water purifier **MUST** be connected to the cold water line only.
5. The system should be located as close to the faucet as possible. This eliminates the possibility of the purified water being re-contaminated by bacteria in the water distribution system after the water purifier.
6. **CAUTION** As with any water handling device, the water purifier should be located in an area where any possible condensation or leakage from the water purifier, any purifier accessory and/or plumbing will not result in damage to the area surrounding the water purifier. **For added protection, it is recommended that a suitable drain pan be installed under the purifier. The drain pan must be plumbed to an adequate, free flowing, drain to prevent water damage in the event of a leak. There are numerous leak detection/flood stop devices, available on the market today, designed to stop the flow of water, reducing the chance of water damage due to leakage. For more details regarding leak prevention and/or limiting damages due to leaks, please contact the factory.**
7. **CAUTION** The system should be located within 5-feet of an electrical receptacle. The receptacle must be a properly installed, grounding type, receptacle that has Ground Fault Circuit Interrupter (GFCI) protection.

SADDLE VALVE INSTALLATION



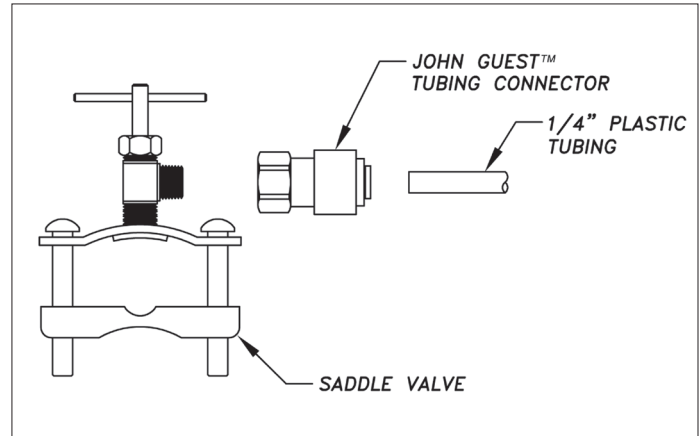
IN ORDER TO PERFORM THIS TASK, BE SURE TO WEAR THE FOLLOWING SAFETY EQUIPMENT: SAFETY GLASSES OR A FACE SHIELD, AS WELL AS GLOVES.

Check with the local public works department for plumbing codes. Follow all local plumbing codes when installing components of this system.

The system comes supplied with a saddle valve and mounting hardware and is intended to be used on 3/8 inch to 1/2 inch copper tubing, and should be connected to the cold water line only. **NOTE:** This valve is not to be used on flex lines.

Figure 2 – Saddle Valve with Hardware

1. Shut off the cold-water supply valve under the sink or main valve for the house.
2. Locate saddle valve in an accessible area. Slide the clamp over the copper tubing and tighten the bottom screw firmly to hold the clamp in position.
3. Pierce the copper tubing by turning the “T” handle clockwise, until it is firmly seated. The valve is CLOSED in this position.
4. Open the cold-water supply valve or main valve, check for any signs of leaks around valve connection.
5. Install John Guest™ Tubing Connector on to the outlet of the saddle valve. Insert 1/4 inch OD tubing into the end of tubing connector see “**Tubing Installation**”.



CAUTION DO NOT OPEN saddle valve until system is completely installed, doing so, at this time, will allow water to flow from the valve.

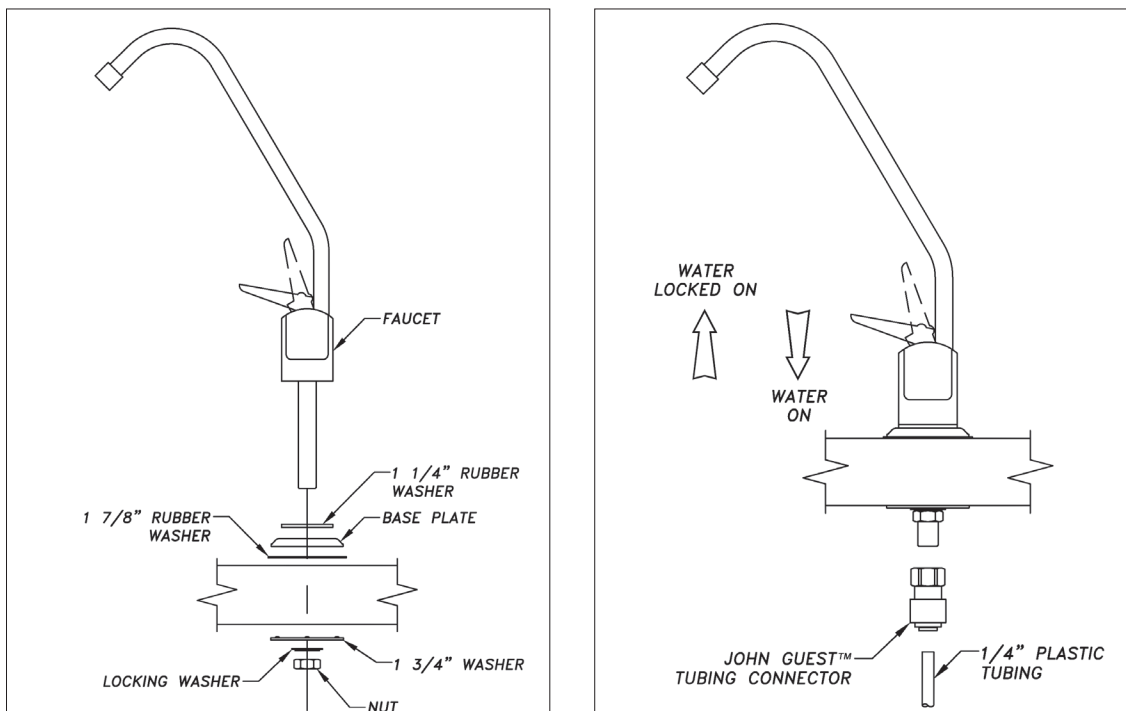
FAUCET INSTALLATION



IN ORDER TO PERFORM THIS TASK, BE SURE TO WEAR THE FOLLOWING SAFETY EQUIPMENT: SAFETY GLASSES OR A FACE SHIELD, AS WELL AS GLOVES.

Most sinks have an extra hole to mount additional faucets, sprayers or soap dispensers. If the sink does not have an additional hole, or it is being used by another attachment, a hole must be drilled in either the sink or countertop. The faucet stem requires a 1/2 inch diameter clearance hole for mounting; the chrome base plate will cover up a 1-1/2 inch diameter hole.

Figure 3 – Faucet Mounting



FAUCET INSTALLATION CONT.

1. Select faucet location.
 - Make sure the faucet is far enough away so not to interfere with the regular faucet or any other attachments.
 - If mounting faucet on the countertop, make certain the spout of the faucet will reach over the sink.
 - Check underneath the sink/countertop for any obstructions and for tool clearances required for mounting the faucet.
 - Make certain the faucet will fit flat against the sink/countertop, so 1-7/8 inch rubber washer will seal against chrome base plate and sink/countertop.
2. Mark the center of the faucet location.

⚠ CAUTION To avoid possibly damaging sink and/or countertop, consult a qualified plumber or installer, special tools may be required for drilling porcelain, stainless steel, tile, etc.
3. Using appropriate tools for particular sink or countertop construction, make a 1/2 inch diameter mounting hole.
4. Install the 1-1/4 inch rubber washer onto the faucet, followed by the chrome base plate, and finally the 1-7/8 inch rubber washer. These parts must be installed onto the faucet before mounting the faucet to the sink or countertop.
5. Install faucet into the mounting hole. From under the sink install the 1-3/4 inch washer, the locking washer and thread the 9/16 inch nut onto the faucet. Align the faucet to desired position, and firmly tighten the nut.
6. Install John Guest™ Tubing Connector on to the inlet of the faucet. Insert 1/4 inch OD tubing into the end of tubing connector. See “**Tubing Installation**”.

SYSTEM INSTALLATION



IN ORDER TO PERFORM THIS TASK, BE SURE TO WEAR THE FOLLOWING SAFETY EQUIPMENT: SAFETY GLASSES OR A FACE SHIELD, AS WELL AS GLOVES.

1. Once a suitable location, for the system, has been chosen, mark the location of the mounting screws, using the holes on the mounting bracket as a template.
2. Using appropriate fasteners, for the type wall chosen, mount the system through the holes of the mounting bracket.
3. Tubing Connections:
 - a. Run the tubing, connected to the saddle valve, to the inlet fitting of the sediment filter.
 - b. Run the precut 24" tubing from the outlet of the carbon filter, to the inlet of the **Bio-Logic**® water purifier.
 - c. Run the tubing from the faucet to the outlet of the **Bio-Logic**® water purifier. Measure, cut tubing. The tubing must be cut square, free of burrs and sharp edges. Leave enough slack in the tubing so the system can be easily removed, if necessary.
4. Turn on the faucet supplied by the **Pure Water Pack**™ system. **NOTE:** Lifting the handle of the faucet until it locks will keep the faucet in the “ON” position. Pushing the handle down will keep the faucet “ON” until the handle is released. Slowly open the saddle valve, by turning the “T” handle counter-clockwise until fully open, and allow the system to fill with water.
5. Once water begins to flow from the faucet, allow water to run for several minutes until it is clear with no air bubbles. Turn off the faucet and check the system for leaks. If leaks occur see “**Troubleshooting**” section on **Page 14**. If no leaks occur, proceed to install the ultraviolet lamp.
6. Unpack the lamp and ballast. While holding lamp end, carefully push lamp socket on. Carefully slide lamp straight into the quartz sleeve, without angling. Push the End Cap on, over the static gland nut. Attach the ground connector to the grounding tab of the chamber.

⚠ WARNING To ensure proper operation and safety of the purifier, your unit must be connected to a known good ground.

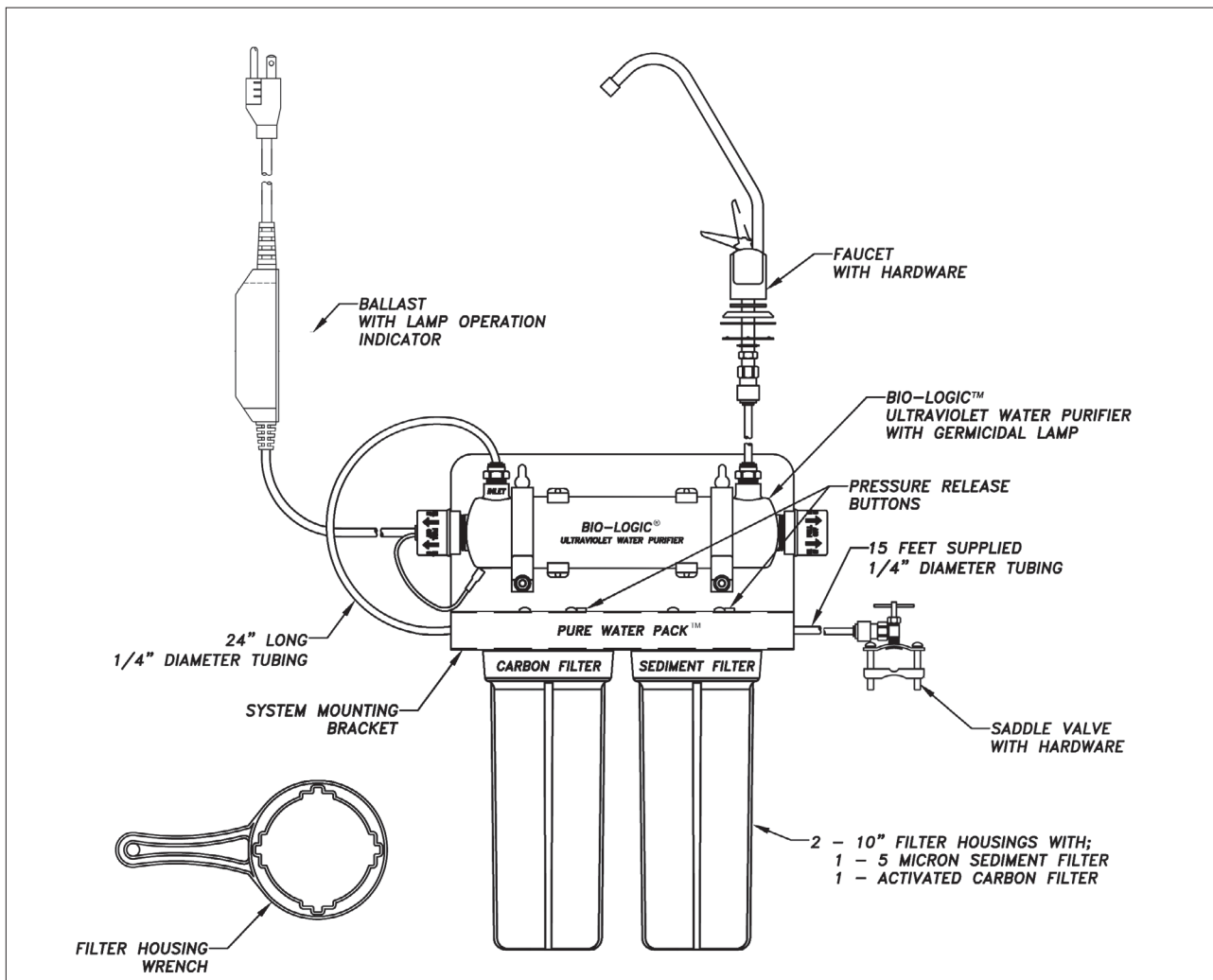
⚠ CAUTION Lamp and quartz sleeve are easily damaged. Exercise care when handling.

7. **For 120v 50/60Hz operation using ballast no. 10-0518A and 230v 50/60Hz using ballast 10-0514A**, plug ballast into an approved Ground Fault Circuit Interrupt (GFCI) receptacle. Where a 2-prong or unprotected 3-prong receptacle is encountered, it must be replaced by a properly grounded Ground Fault Circuit Interrupt (GFCI) receptacle. Installation must be in accordance with the National Electrical Code and any local codes and ordinances by a qualified electrician. For 12v DC operation, The ballast must be wired to an adequate 12v DC source with appropriate gauge wire for the voltage and current. It is recommended that the ballast have a dedicated run to the 12v source, and protected by either a fuse or circuit breaker.

Step 7 Continued on Page 8

- Always disconnect the battery(s), or other 12v source, before installation or performing any maintenance.
 - The ballast is supplied with a 6-foot, 2 wire, power cord and 5-foot lamp cord, the ballast must be located so the lamp is easily removed and does not put any tension on the lamp, which could cause damage to the lamp and/or quartz sleeve. All installed wiring should be protected from heat, wear points (abrading) or mechanical stress. Secure ballast using the mounting tabs located on the ballast body.
 - Wire ballast power cord as follows;
 - Brown wire - Positive (+) to protected (fuse or circuit breaker) 12v DC source.
 - Blue wire - Negative (-) to suitable chassis ground.
 - If there are any questions or concerns regarding the installation and/or wiring of the 12v system, consult a qualified installer.
8. It is recommended, when the carbon filter is new, to flush out the system thoroughly prior to use. Turn on the system's faucet and allow water to run for 10 minutes to flush the filter and system.

Figure 4 – Bio-Logic® Pure Water Pack™ – Installation

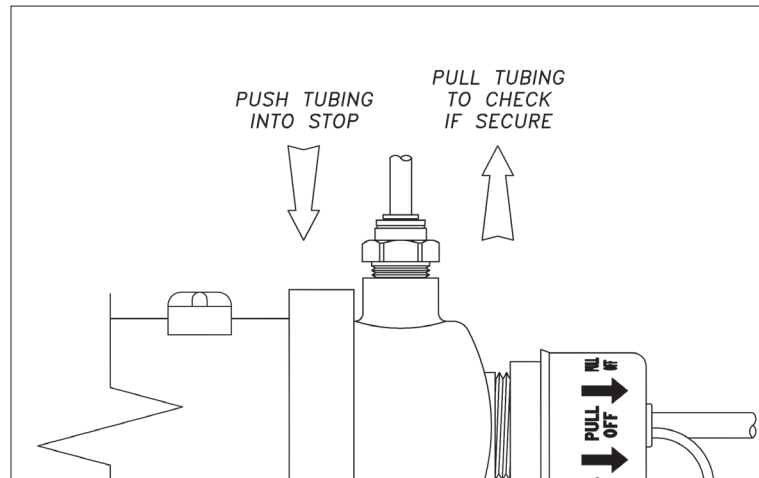


9. Plug ballast into an approved Ground Fault Circuit Interrupt (GFCI) receptacle. Where a 2-prong or unprotected 3-prong receptacle is encountered, it must be replaced by a properly grounded Ground Fault Circuit Interrupt (GFCI) receptacle. Installation must be in accordance with the National Electrical Code and any local codes and ordinances by a qualified electrician.
10. Once the plumbing hook ups are made, it is a good practice to disinfect the “downstream” plumbing. This is done by introducing chlorine or other disinfectant solution directly into the purifier chamber, a 100-ppm of chlorine is suggested. With the disinfectant solution in the purifier chamber, turn the ultraviolet purifier on. Open the “downstream” outlet until order is noticed. Close the outlet and allow the disinfectant to remain in the plumbing for at least three (3) hours. Flush the plumbing with ultraviolet purified water; allow the water to run for several minutes before use, this will allow the ultraviolet lamp to reach its full germicidal output.

TUBING INSTALLATION

- Measure and cut the tubing to desired length. Leave enough slack in the tubing so the system can be easily removed, if necessary. Cut the tubing square; remove all burrs and sharp edges.
- Insert tubing into fitting; push until it reaches the tube stop. Avoid kinking or stretching tubing. Check that tubing is secure; gently pull on tubing, tubing should not pull free from fitting.

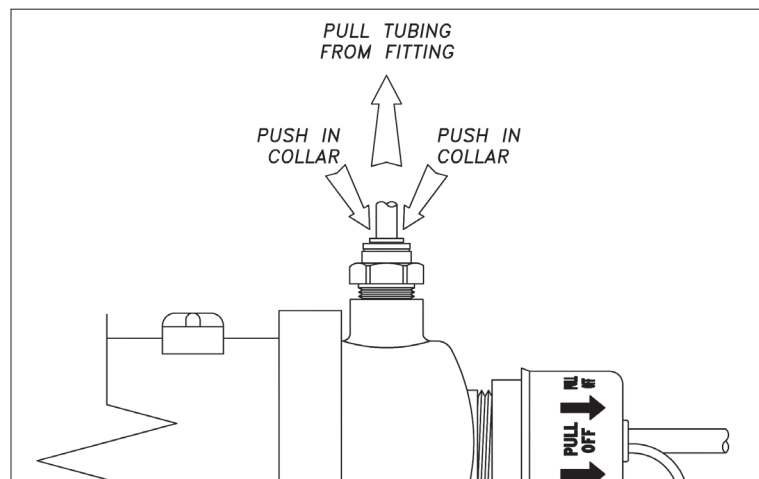
Figure 5 – Tubing Installation



TUBING REMOVAL

- If the system has been in use, shut off supply valve and drain the system before removing any tubing.
- Push in collar, squarely against the face of the fitting. Holding collar in position, pull tubing from the fitting.

Figure 6 – Tubing Removal



TECHNICAL ASSISTANCE

Atlantic Ultraviolet Corporation maintains a qualified team of application specialists that can provide any technical assistance, which maybe required during the use of this system. For any questions, concerns, or technical assistance, regarding this system or any of our other products, contact our application specialists. Contact options can be found in the “**User Assistance**” section.

RECOMMENDED OPTIONS

1. **Promate™ Safety Glasses:** Safety eyewear **MUST** be used as general-purpose safety protection and for additional shielding from ultraviolet rays.
2. **Promate™ Face Shield:** Lightweight visor with adjustable headgear provides eye and face protection from ultraviolet rays.

NOTE: The recommended options above are available from Atlantic Ultraviolet Corporation® or a distributor of their products. For the other devices that may be required for your application, please contact your local water treatment dealer, plumber or plumbing supplier.

MAINTENANCE

The **Bio-Logic® Pure Water Pack™** is designed to operate with a minimal amount of maintenance, providing the water quality does not exceed maximum concentration levels, see “**Water Quality**” in the “**Product Application**” section on **Page 4**. Ordinary maintenance consists of:

- Filter cartridge replacement is recommended every 12 months. Over time water pressure to the system faucet will drop, this is an indication that the filter cartridges are nearing the end of their service life.
- In poor quality water supplies filter cartridges may clog more rapidly, before the 12 months are up, reducing water pressure to the system faucet. In these cases, change filter cartridges immediately. Changing filter cartridges will restore normal water pressure.
- Lamp replacement is recommended every 10,000 hours of operation (approximately 12 months of continuous service).
- Cleaning of the quartz sleeve, when conditions warrant. It is recommended that the inspection of quartz sleeve be performed after one month of use. If quartz sleeve is found to be coated (not clear), then frequency of cleaning must be done more often. Deposits or discoloration on the surface of quartz sleeve are caused by excessive levels of the subject contaminant within the water that is in contact with the quartz sleeve. Most deposits on the quartz sleeve are caused by an excess of calcium (hardness), iron or manganese. **Table 1 on Page 4** lists the maximum recommended concentration of these minerals in the water that passes through the ultraviolet purifier. If you encounter difficulty due to deposits on the quartz sleeve, your dealer will be able to recommend suitable pretreatment to reduce or eliminate the offending contaminant. If quartz sleeve is clean (clear) then frequency of cleaning may be extended.
- Always disconnect the water supply and completely drain the water purifier if it will be subjected to temperatures below freezing.
- Contact factory with questions.

INSPECTION

1. Regularly inspect the water purifier to ensure that the germicidal lamp is still in operation.
 - An LED indicator light, located on the ballast, provides visual indication of germicidal lamp operation. This provides an indication of lamp operation and does not indicate the level of ultraviolet intensity or transmission through the water.
2. To ensure proper operation of the **Bio-Logic® Pure Water Pack™**, regular biological testing of the purifier output water should be performed on a schedule recommended by local public health authorities, or at minimum; at installation, quarterly for the first year of service and annually, at lamp replacement, for the life of the water purifier.
3. Additional testing should be performed whenever modifications, change or additions are made to plumbing system, pumps, well source water etc. to ensure adequate disinfection under new condition.
4. As with any water purifier installation, routine maintenance is necessary to ensure your equipment is operating correctly. Regular inspection must also include the inspection of the ground to ensure grounding wires are secure to both the water purifier and grounding point as originally installed. Regular inspection must also include confirmation that approved ground fault circuit interrupt (GFCI) receptacle is still operational and that water purifier is plugged into this GFCI. Any components which are damaged, or broken should be replaced.

FILTER CARTRIDGE REPLACEMENT



IN ORDER TO PERFORM THIS TASK, BE SURE TO WEAR THE FOLLOWING SAFETY EQUIPMENT: SAFETY GLASSES OR A FACE SHIELD, AS WELL AS GLOVES.

⚠ CAUTION Never remove filter housings while the system is pressurized.

NOTE: Place a small bucket under the system, when changing filter cartridges, to catch any water that may leak from system.

1. **⚠ WARNING** Disconnect and remove power to water purifier.
2. Shut off water supply to the system, by closing the supply valve. Open the system faucet and allow the system to drain.
3. Release the pressure in the filter housing by pressing the red pressure release button located on top of each filter housing. See **Figure 4 “Bio-Logic® Pure Water Pack™ - Installation” on Page 8** for location.
4. Using the filter-housing wrench, loosen the filter housing by turning the housing clockwise. Remove the filter housing. Be careful, the filter housing will be full with water, adding to the weight of the filter housing. Be sure not to lose the large O-Ring seal.
5. Drain water from filter housing, remove and discard old filter cartridge. **(Continued on Page 11)**

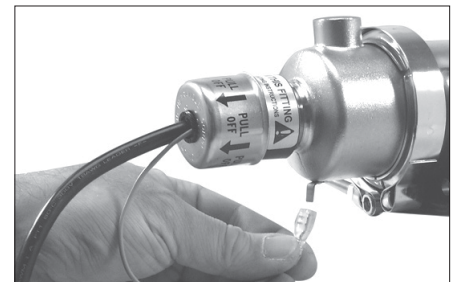
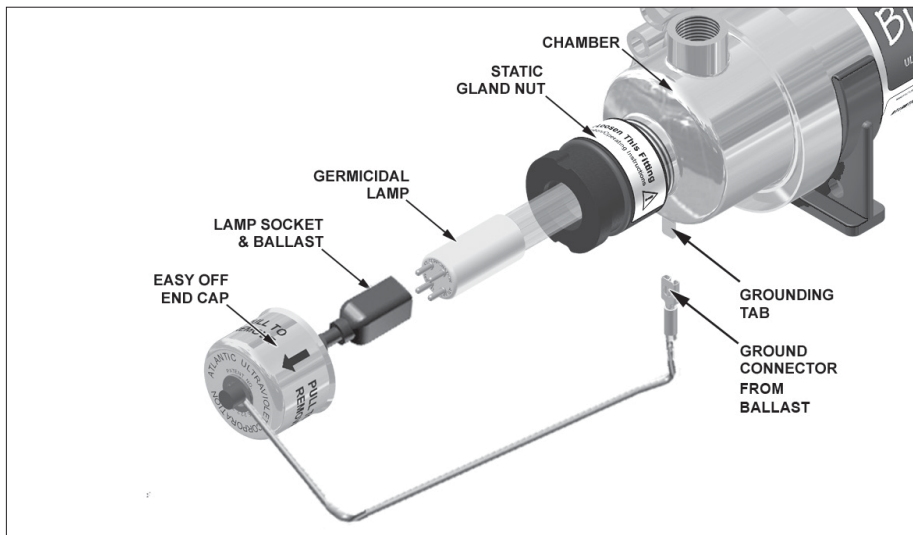
6. Clean the inside of the filter housing before installing the new filter cartridge. Wash the inside of the filter housing with soap and hot water, rinse out thoroughly. Make sure the O-Ring is fully seated, in its groove.
7. Remove the wrapper from the new filter cartridge, and place into the filter housing. The filter cartridge will fit into the filter housing in either direction. The system uses 2 different filter cartridges. Be sure to install the correct cartridge into its corresponding filter housing.
8. Replace filter housing and cartridge onto filter head and firmly tighten, by turning filter housing counter-clockwise. Be careful not to cross thread the housing and filter head.
9. Repeat to replace the second filter cartridge.
10. Lift the handle, of the system faucet, and lock the faucet in the “ON” position. Slowly open the supply valve, and allow the system to fill with water.
11. When water begins to flow from the faucet, allow water to run for several minutes until it is clear with no air bubbles. Turn off the faucet and check between the filter housing and head for leaks.
12. It is recommended, when installing a new carbon filter, to allow the water to run for 10 minutes to flush the filter and system prior to use.
13. Restore power to the water purifier.

LAMP INSTALLATION OR REPLACEMENT BIO-1.5 USING BALLAST NO.10-0518A 120v 50/60Hz AND USING BALLAST NO.10-0514A 230v 50/60Hz

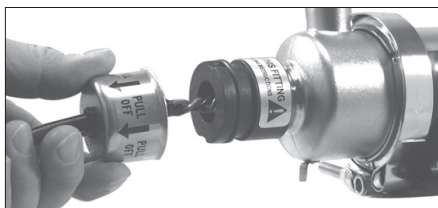


IN ORDER TO PERFORM THIS TASK, BE SURE TO WEAR THE FOLLOWING SAFETY EQUIPMENT: SAFETY GLASSES OR A FACE SHIELD, AS WELL AS GLOVES.

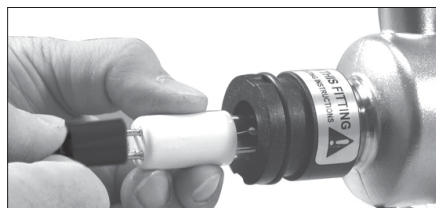
Figure 7 – Lamp Replacement



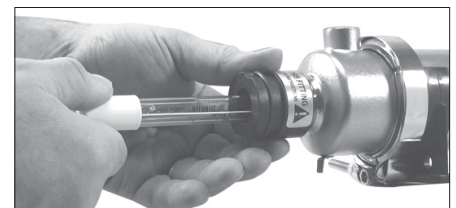
Step 1 – Disconnect Power to Water Purifier and Remove Ground Connector



Step 2 – Remove End-Cap



Step 3 – Remove Socket



Step 4 – Remove Lamp

1. **⚠ WARNING** Disconnect power to water purifier, and remove ground connector from the chamber.
2. Remove **EASY-OFF™** End Cap by pulling cap off static gland nut.
3. Pull lamp cord and carefully withdraw lamp approximately 2 inches from chamber. While holding lamp end, remove lamp socket from exposed lamp end.
4. Carefully withdraw lamp from chamber. Be sure to withdraw lamp straight out without angling until completely clear of quartz sleeve.

⚠ CAUTION Lamp and quartz sleeve are easily damaged. Exercise care when handling. (Continued on Page 12)

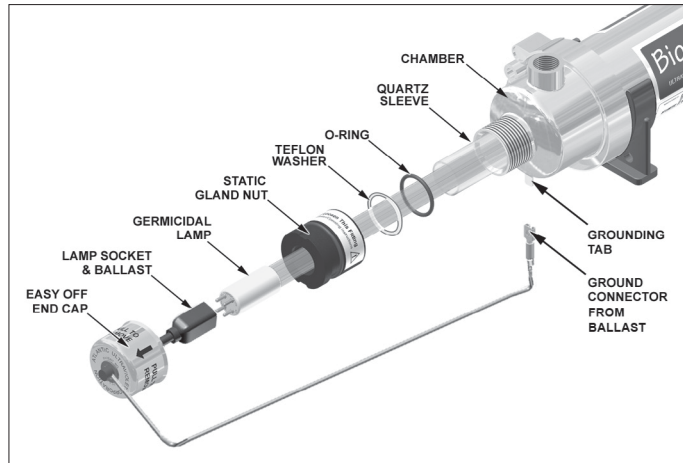
- Reinstall lamp in reverse order.

⚠ WARNING Germicidal ultraviolet rays are harmful to eyes and skin. Do not restore power to water purifier until lamp and both EASY-OFF™ End Caps have been properly reinstalled.

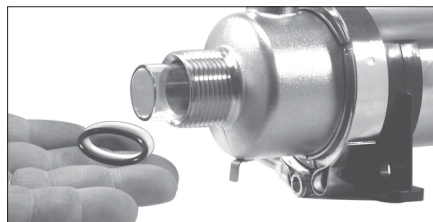
- Reattach the ground connector to the grounding tab of the chamber, and restore power to the system.

QUARTZ SLEEVE INSTALLATION, CLEANING, OR REPLACEMENT

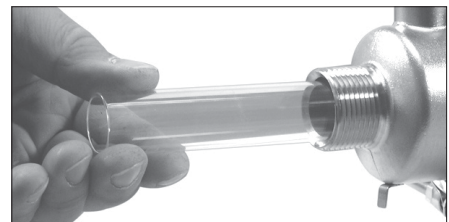
Figure 8 – Quartz Sleeve Cleaning or Replacement



Step 4 – Remove Gland Nut From Each End



Step 5 – Remove Washer & O-Ring from each end



Step 6 – Remove Quartz Sleeve



IN ORDER TO PERFORM THIS TASK, BE SURE TO WEAR THE FOLLOWING SAFETY EQUIPMENT: SAFETY GLASSES OR A FACE SHIELD, AS WELL AS GLOVES.

- ⚠ WARNING** Disconnect power to water purifier.
 - For 120v 50/60Hz version using ballast no. 10-0518A or 230v 50/60hz version using ballast no. 10-0514A, remove the ground connector from the chamber, and go to the next step.
- Shut off water supply to water purifier via inlet and outlet shut off valves and drain chamber, if possible.
- Follow the steps in “Lamp Installation or Replacement” to remove lamp.

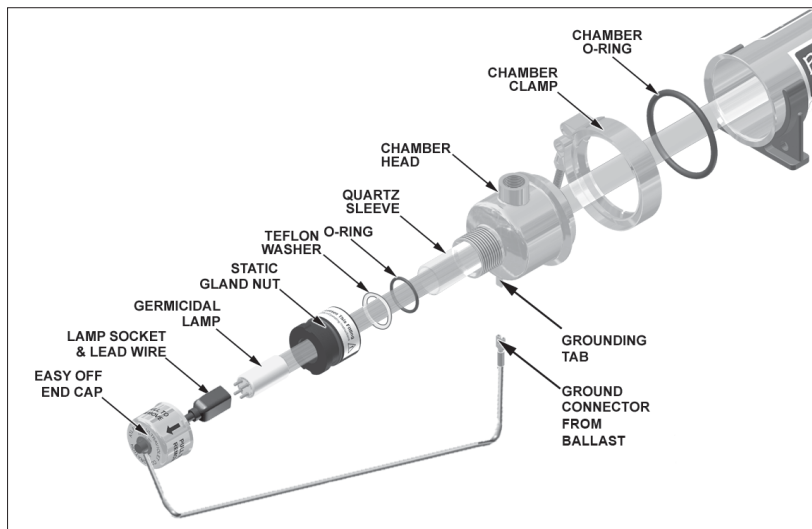
⚠ CAUTION Lamp and quartz sleeve are easily damaged. Exercise care when handling.
- Unscrew static gland nuts from each end of the chamber. Avoid striking quartz sleeve with static gland nut.
- Remove Teflon® washer and O-Ring from both ends of quartz sleeve. Teflon® washer will sometimes remain within the static gland nut. If so, remove Teflon® washer from static gland nut before proceeding.
- Carefully remove quartz sleeve from chamber. **NOTE:** It is advisable to support the quartz sleeve on the opposite end with your finger so that it does not drop to the bottom of the chamber as it slides into the chamber.
- Once the quartz sleeve is removed, clean with alcohol or a mild, non-abrasive detergent. Stubborn stains usually can be removed with a dilute hydrochloric acid. **NOTE:** Follow all manufacturer’s instructions and precautions when handling chemicals.
- Reassemble in reverse order. Make sure the quartz sleeve protrudes an equal distance past each threaded nipple. Be sure O-Rings are placed on quartz sleeve before Teflon® washer.
- Tighten static gland nuts firmly by hand only, **DO NOT USE HAND TOOLS**. Tightening with hand tools is likely to cause quartz sleeve to break.
- Slowly restore water supply to water purifier and check for leaks. (Continued on Page 13)

11. If no leaks occur, reinstall lamp, following the steps in “Lamp Installation or Replacement” section.

⚠ WARNING Germicidal ultraviolet rays are harmful to eyes and skin. Do not restore power to water purifier until lamp and both EASY-OFF™ End Caps have been properly reinstalled.

REPLACEMENT OF BROKEN QUARTZ SLEEVE

Figure 9 – Chamber Head Removal



IN ORDER TO PERFORM THIS TASK, BE SURE TO WEAR THE FOLLOWING SAFETY EQUIPMENT: SAFETY GLASSES OR A FACE SHIELD, AS WELL AS GLOVES.

⚠ CAUTION Broken Quartz is SHARP. It is recommended that protective glasses and gloves are worn when handling.

1. Follow the steps in “Quartz Sleeve Cleaning or Replacement” to remove lamp and quartz sleeve.

⚠ WARNING Disconnect power to water purifier

⚠ CAUTION Considerable force may be required to pull purifier from the mounting clips. Exercise extreme care when removing purifier.

2. Remove the tubing from the inlet and outlet fittings of the **Bio-Logic®** Ultraviolet Water Purifier. See “Tubing Removal” for the proper method of removing the tubing.
3. Remove the water purifier from the mounting clips. Grasp the purifier chamber, and firmly pull each end free of the mounting clips.
4. **⚠ CAUTION** Carefully remove as much of the broken quartz sleeve as possible, from each end of the chamber.
5. Remove chamber head clamp, by using a 7/16" wrench to loosen and remove the 1/4" nut from the head clamp.
6. Remove chamber head from the chamber.
7. Any broken pieces of the quartz sleeve can now be removed through the open end of the purifier chamber. Flush water through chamber being careful to remove all quartz fragments from the interior of the chamber. **Carefully** discard all pieces of the broken quartz sleeve.
8. Inspect the large O-Ring used to seal the chamber and the chamber head. Make sure the O-Ring is seated properly between the chamber head ring and the flare of the chamber head.
9. To reinstall the chamber head, push chamber head flange into the chamber until both flared ends, of the chamber and the head, mate against the O-Ring.
10. Replace the head clamp around the flared ends of the head and chamber. Install the 1/4" nut and tighten, using a 7/16" wrench, until approximately 7/8" to 1" of the bolt protrudes past the nut.
11. Carefully insert quartz sleeve into chamber. **NOTE:** It is advisable to support the quartz sleeve with your finger to guide it through the opening in the threaded gland fitting. Center the quartz sleeve in the chamber, making sure the quartz sleeve protrudes an equal distance past each threaded gland fitting.
12. Reinstall O-Rings, Teflon® washers, and static gland nuts. Be sure O-Rings are placed on quartz sleeve before Teflon® washer. Tighten static gland nuts firmly by hand only, **DO NOT USE HAND TOOLS**. Tightening with hand tools is likely to cause quartz sleeve to break. (Continued on Page 14)

13. Remount the water purifier to system-mounting bracket, by firmly pressing the purifier into the chamber brackets.
14. Reinstall the tubing; see “**Tubing Installation**” on **Page 9** for the proper method of installing the tubing. Be sure that the tubing from the outlet of the carbon filter goes to the inlet of the water purifier, and the tubing from system faucet goes to the outlet of the water purifier.
15. Lift the handle, of the system faucet, and lock the faucet in the “ON” position. Slowly open the supply valve, and allow the system to fill with water.
16. When water begins to flow from the faucet, allow water to run for several minutes until it is clear with no air bubbles. Turn off the faucet and check the water purifier for leaks.

⚠ WARNING Germicidal ultraviolet rays are harmful to eyes and skin. Do not restore power to water purifier until lamp and both **EASY-OFF™ End Caps** have been properly reinstalled.

17. If no leaks occur, reinstall lamp by following the steps in “**Lamp Installation or Replacement**” section on **Pages 11–12**.

DISPOSAL OF MERCURY ADDED LAMPS



Germicidal ultraviolet lamps, like standard fluorescent lamps contain small amounts of mercury. Mercury added lamps should not be placed in the trash. Dispose of properly. For further information regarding the disposal and recycling of lamps containing mercury, along with Federal and State requirements visit LampRecycle.org. For more information on **STER-L-RAY®** Germicidal Ultraviolet Lamps, visit AtlanticUltraviolet.com or Ultraviolet.com.

TROUBLESHOOTING

⚠ WARNING Always disconnect power to the water purifier before performing any service or maintenance.

IMPORTANT: This unit is to be serviced **ONLY** by qualified, and appropriately licensed, personnel.

Table 2 – Troubleshooting

Problem	Possible Cause	Corrective Action
Purifier not operating	No electrical power	Verify that the purifier is connected to a live power source.
Water leaking from purifier	Cracked or broken quartz sleeve	Shut down purifier, drain, and replace quartz sleeve. See “ Quartz Sleeve Installation, Cleaning, or Replacement ” or “ Replacement of Broken Quartz Sleeve ” in the “ Maintenance ” section.
	Quartz sleeve sealing O-Ring(s) worn, damaged	Shut down purifier, drain, and remove static gland nut, replace sealing O-Ring. See “ Quartz Sleeve Installation, Cleaning, or Replacement ” in the “ Maintenance ” section.
	Poor, or loose, connections or fittings	Tighten suspect connection or fitting; or shut down purifier, drain, and remove fitting or connection. Clean threads; reapply thread sealing tape and reinstall.
Water leaking from fitting	Tubing may not be installed properly	See “ Tubing Installation ” for the proper method for installing tubing.
Water cloudy and/or has air bubbles	Air in system	Open system faucet, allow water to run, until water clears and has no air bubbles.
Water contains black particles	New carbon filter cartridges contain activated carbon, in a powder form	Open system faucet; allow water to run, purging the carbon particles from the cartridge, until water is clear.
Water pressure dropped	Filters installed for longer than 12 months	Replace both filter cartridges. See “ Filter Cartridge Replacement. ”
	Water quality poor, filters clogged	
Poor purifier disinfection performance	Quartz sleeve fouled	Clean quartz sleeve, see “ Quartz Sleeve Installation, Cleaning, or Replacement ” in the “ Maintenance ” Section.
	STER-L-RAY® Germicidal Lamp output depreciating	Replace lamp, as it nears its end of life (EOL). See “ Lamp Installation or Replacement ” in the “ Maintenance ” section.
	STER-L-RAY® Germicidal Lamp not functioning	Replace lamp. See “ Lamp Installation or Replacement ” in the “ Maintenance ” section.
	Low input voltage	Verify input voltage to purifier.
	Change in water quality	Have water tested to confirm that it does not exceed maximum recommended concentration levels for use with this purifier.

BALLAST No. 10-0518A AND 10-0514A HAVE LAMP-OUT PROTECTION

If power is applied to the ballast without a lamp connected to the circuit or if the lamp fails, the ballast's lamp-out protection will prevent the ballast from operating, and a red LED light will illuminate and audio alarm will sound. **To reset: disconnect the ballast from power and reconnect or replace the lamp.** The ballast must remain disconnected from power for (2) minutes to reset. After 2 minutes, restore input power. Ballast should resume proper operation.

⚠WARNING The equipment that this ballast is used with requires connection to a known good ground. It is the User's responsibility to ensure that their equipment is properly grounded in compliance with the National Electrical Code and any applicable local codes. Equipment wiring and hook up should be performed by a qualified, licensed electrician. Failure to comply with this requirement could result in serious injury or death.

TECHNICAL SPECIFICATIONS

Table 3 – Technical Specifications

Model:	Pure Water Pack™
Flow Rate (GPM):	1.5
Inlet/Outlet Size:	1/4" Tubing to 3/8" MNPT John Guest™ Connector
Number of Lamps:	1
Lamp Model No.:	05-1366-R
Quartz Sleeve:	Yes
Length:	14-1/2"
Width:	5-3 /4"
Height:	18"
Shipping Weight:	18 Lbs
Voltage:①	120V 50/60Hz
Power Consumption:②	14 Watts
Max Operating Pressure:	100 PSI
Ambient Room Temperature:	35–100°F
Lamp Out Indicator	Yes
Installation Kit	Yes
Sediment Filter Cartridge	Yes, 5 Micron
Carbon Filter Cartridge	Yes
Chamber Material	316 Stainless Steel

① 220v 50/60Hz and 12v DC units are also available. Consult Factory for specific voltage requirements.

② Wattage is lamp watts only, and does not include ballast loss.

All specifications, dimensional data, etc are approximate and subject to change without notice.

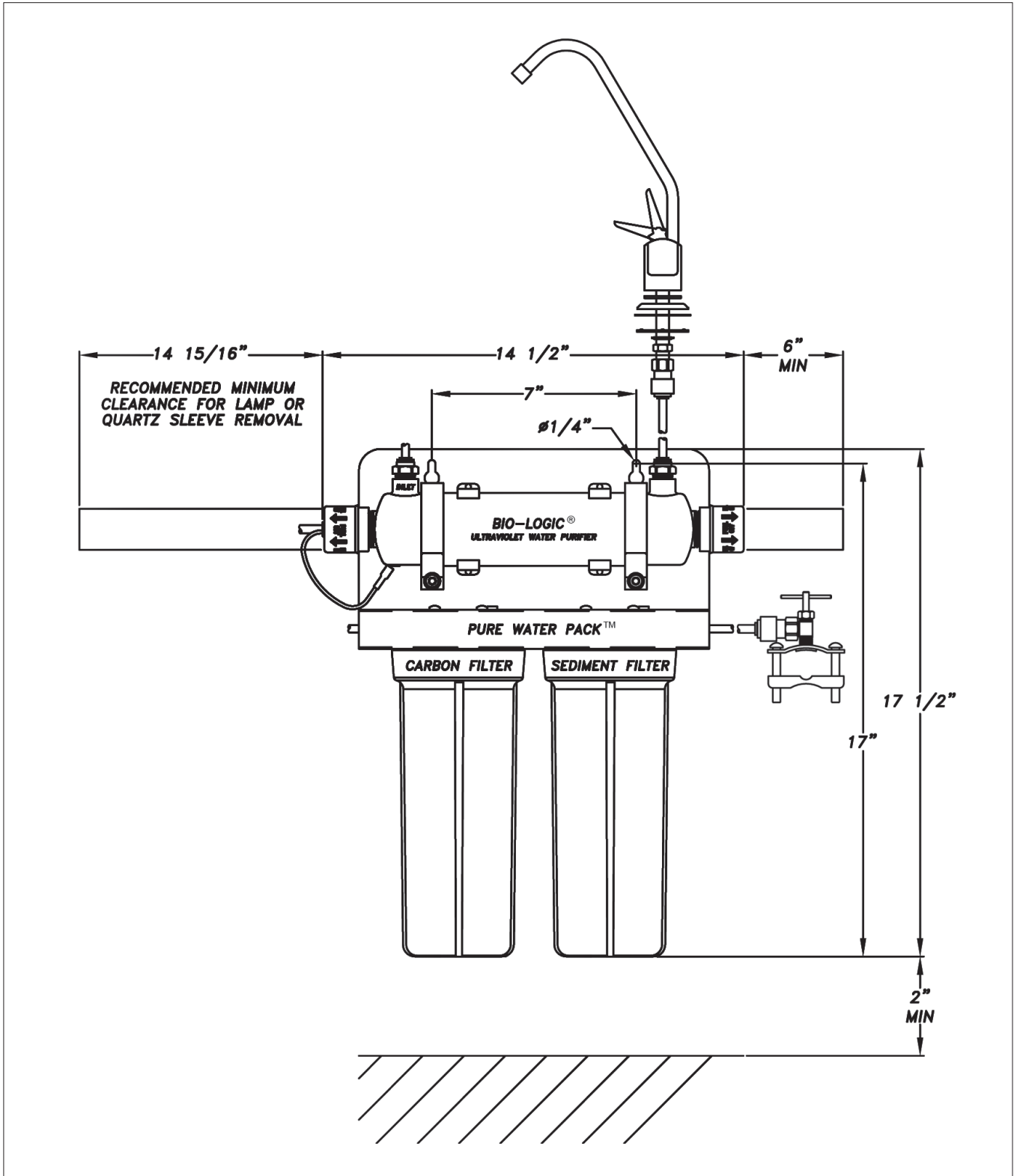


⚠WARNING 12 Volt and 24 Volt Direct Current (DC) Ballasts and Units

Many individuals regard ballasts and units powered by 12 volt and 24 volt Direct Current (DC) to be relatively benign from a safety standpoint. However, a DC ballast, in order to operate an ultraviolet discharge lamp, must produce an output as high as 600 volts. This voltage is high enough to produce a very serious or even lethal electric shock. **IT IS IMPERATIVE** that all DC ballasts and DC ultraviolet units be wired and grounded appropriately.

DIMENSIONAL DATA

Figure 10 – Dimensional Data



All specifications, dimensional data, etc are approximate and subject to change without notice.

REPLACEMENT PARTS

Figure 11 – Exploded View BIO-1.5 Water Purifier

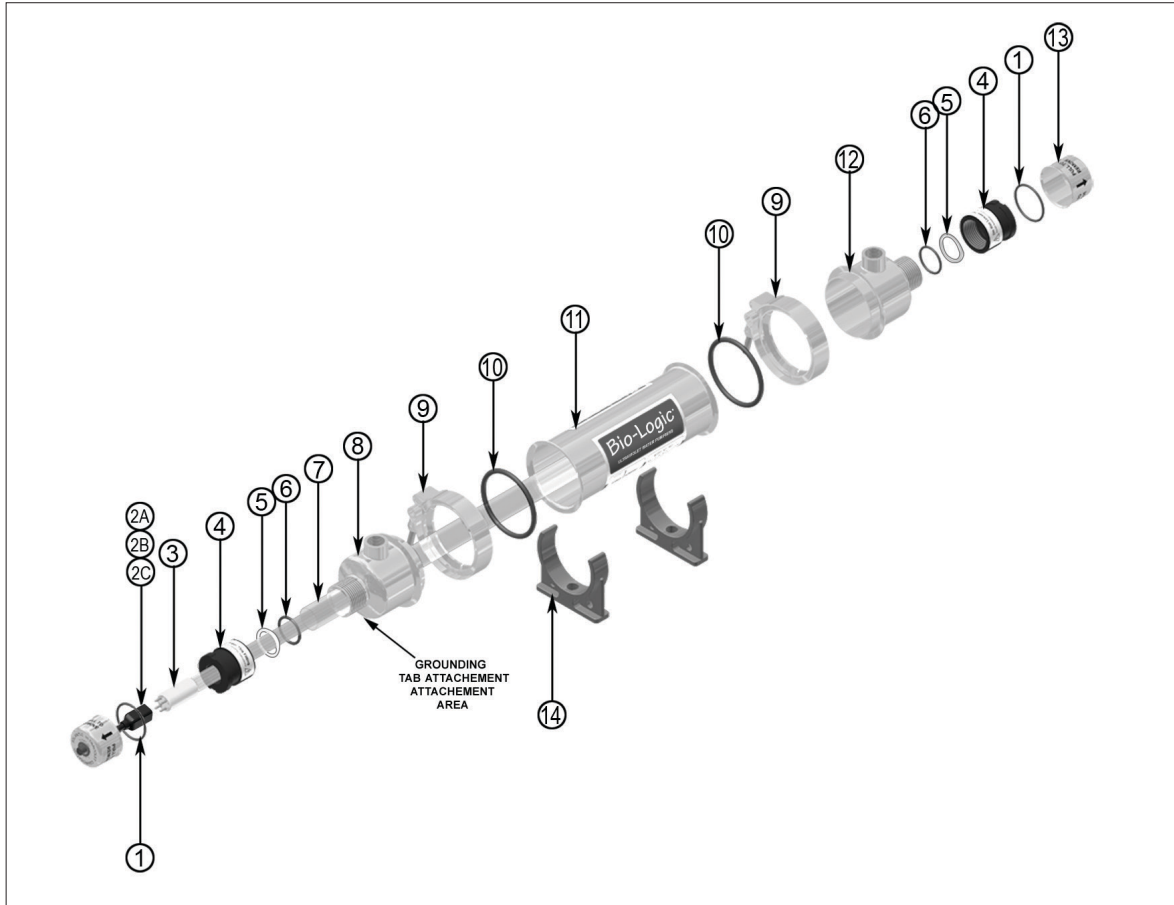


Table 4 – Replacement Parts BIO-1.5

Item No.	Description	Quantity	BIO-1.5
1	Rubber O-Ring, Static Gland	2	00-1108B
2A	Steadfast™ Lamp Socket & Surelite™ Ballast, 120v 50/60Hz	1	10-0518A
2B	Steadfast™ Lamp Socket & Surelite™ Ballast, 230v 50/60Hz	1	10-0514A
2C	Steadfast™ Lamp Socket & Surelite™ Ballast, 12v DC*	1	10-1201A
3	STER-L-RAY® Lamp	1	05-1366-R
4	Static Gland Nut	2	25-1492D
5	Teflon® Washer	2	25-3023A
6	Rubber O-Ring, Quartz Sleeve	2	00-1023A
7	CRYSTAL CLEAR™ Quartz Sleeve	1	15-1700A
8	Chamber Head, 2 ½" with Ground Terminal	1	25-4506A
9	Chamber Clamp	2	25-6009
10	Chamber O-Ring	2	00-0250A
11	Chamber Tube	1	25-6004A1
12	Chamber Head, 2 ½"	1	25-6042
13	EASY-OFF™ End Cap with Clear Window Plug	1	25-1398
14	Mounting Clip	2	27-0045

All specifications, dimensional data, etc are approximate and subject to change without notice.

* Lamp Socket and Ballast not shown

REPLACEMENT PARTS

Figure 12 – Exploded View of Bio-Logic® Pure Water Pack™

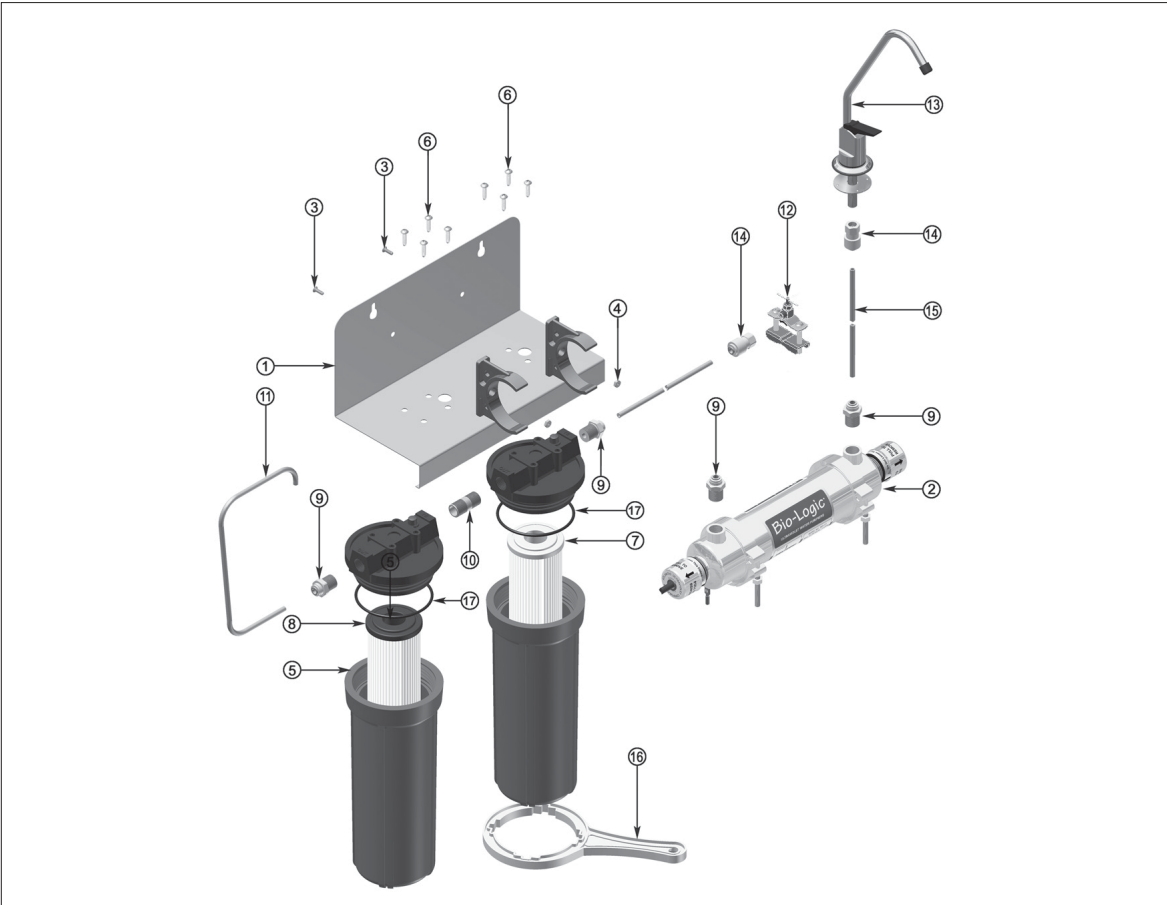


Table 5 – Replacement Parts for Bio-Logic® Pure Water Pack™

Item No.	Description	Quantity	BIO-1.5
1	Filter Bracket	1	25-9132A
2A	Bio-Logic® 1.5 120v 50/60Hz	1	25-9125A1
2B	Bio-Logic® 1.5 230v 50/60Hz	1	25-9126A1
3	Screw, 8-32 x 1/2" Long	2	50-1394
4	Nut, Hex, 8-32	2	50-1180
5	Filter Housing, 10" w/Pressure Relief Valve	2	25-4507
6	Screw, 10-16 x 3/4" Long	8	50-0096
7	Filter Cartridge, 5 Micron, Pleated	1	25-4508
8	Filter Cartridge, Carbon	1	25-4509
9	Male Connector 1/4" x 3/8" NPTF John Guest™	4	25-4513
10	Pipe Nipple, 3/8" x 1-1/2" Long PVC	1	25-4510
11	Tubing 1/4" OD x 24" Long	1	25-4515
12	Saddle Valve fits 3/8" – 1/2" Copper Tubing	1	25-4511
13	Faucet, Long Reach Spout	1	25-4512
14	Tap Adaptor, 1/4" x 7/16" – 24UNS John Guest™	2	25-4514
15	Tubing, 1/4" OD, White Plastic	15'	25-4516
16	Wrench, Filter Housing	1	25-8000
17	Description O-Ring - Filter Cartridge	2	00-0330

All specifications, dimensional data, etc are approximate and subject to change without notice.

MAINTENANCE NOTES

USER ASSISTANCE

Atlantic Ultraviolet Corporation® makes every effort to ensure that the **Bio-Logic® Pure Water Pack™** Purifiers are products of superior quality and workmanship. This manual describes the installation, operation and maintenance of the **Bio-Logic® Pure Water Pack™**.

Please read and become familiar with the contents of this manual before installing or using this unit. If after reading the manual you still have questions, or concerns, regarding the installation or use of this unit, contact our offices, weekdays between 8:30 am and 5:00 pm Eastern Time, at:

Atlantic Ultraviolet Corporation®
375 Marcus Boulevard
Hauppauge, New York, 11788

Tel: (631) 273-0500

Fax: (631) 273-0771

Email: Sales@AtlanticUV.com

Shop: AtlanticUltraviolet.com

Learn More: Ultraviolet.com

PATENT NOTICE

No attempt has been made to determine the patent status of applications illustrated or described in this publication. Inclusion in this publication of any design or method of use, which may be patented, is not to be construed as promoting or sanctioning unauthorized use.

WARRANTY & PRODUCT REGISTRATION

We warrant this product to the original owner to be free from defects in material and workmanship when installed in accordance with Atlantic Ultraviolet Corporation® specifications for a period of time as follows:

UV Water Purifier Chambers – Type 316 stainless steel chambers will have a Twelve (12) year Limited Warranty on the stainless steel chamber, from the date of original purchase while the Type 304 stainless steel chambers will have a Six (6) year Limited Warranty on the stainless steel chamber.

UV Air Disinfection Housing – Three (3) year Limited Warranty on the metal housing, from the date of original purchase.

Ballasts – Three (3) year Limited Warranty, from the date of original purchase.

UV Lamps, Monitoring Devices, Optional Accessories, and Other Parts – One (1) year Limited Warranty from the date of original purchase.

Within the warranty period we shall repair or replace such products, which are returned to us with shipping charges prepaid and which are determined by us to be defective. This warranty will not apply to any product, which has been subjected to misuse, negligence or accident; or misapplied; or modified; or repaired by unauthorized person; or improperly installed. Warranty will be null and void if any of the product's original labels are removed. This Limited warranty excludes the cost of labor.

The Buyer shall inspect the product promptly after receipt and shall notify us at our main office in writing of claims, including claims of breach of warranty, within thirty (30) days after the Buyer discovers or should have discovered the facts upon which the claim is based. Failure of the Buyer to give written notice of a claim within the time period shall be deemed to be a waiver of such claim.

The provisions of the above warranty are our sole obligation and exclude all other remedies or warranties, expressed or implied, including warranties of merchantability and fitness for a particular purpose, whether or not purposes or specifications are described herein. We further disclaim any responsibility whatsoever to the customer, or to any person for injury to person, damage to, or loss of property or value caused by any product which has been subjected to misuse, negligence, accident; or modified or repaired by unauthorized persons; or improperly installed.

Under no circumstances shall the Company be liable for any incidental, consequential or special damages; losses or expenses arising from the contract for this product, or in connection with the use of, or inability to use, our product for any purpose whatsoever.

Be sure to register your product and validate purchase within 30 days — registration is simple and will take less than 2 minutes to do.

NOTE – failure to register your purchase may jeopardize warranty.

Go to AtlanticUltraviolet.com and scroll down to the bottom of the page, under “Trust” click the “Warranty Registration Form”, complete and click “Submit”. Or click on “Warranty Registration PDF” to download the warranty registration card as a PDF, complete and mail to us at 375 Marcus Boulevard, Hauppauge, NY 11788, or simply fax to 631-273-0771. If you prefer to register by phone, please call 631-273-0500 and our customer service staff will be glad to assist you.

For your convenience, record the following information below. The model and serial number can be found on a label located on the **Bio-Logic® Pure Water Pack™**. Keep this manual, along with proof of purchase, handy when contacting our offices.

Purchased From:	Date:
Model:	Serial No.: